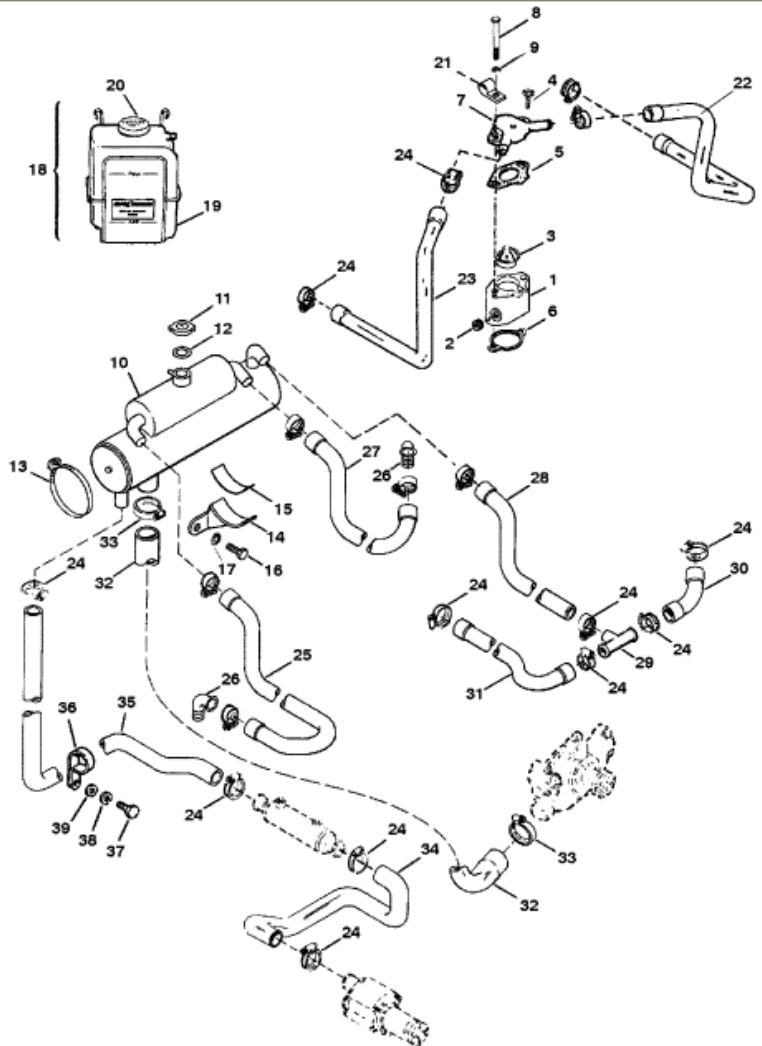


Parts List



Ref	Class	Part	Description	Qty	Comment	Footnote
1		55131A 5	THERMOSTAT HOUSING	1		
2	22	32803	PIPE PLUG	2		
3		807252 2	THERMOSTAT (1605)	1		
4	22	818390	DRAIN FITTING	1		
5	27	48818 1	GASKET - UPPER	1		3
6	27	53045 1	GASKET - LOWER	1		3
7		NSS	COVER (PART OF REF#1)	1		6
8	10	48115	SCREW	2		
9	13	35048	LOCKWASHER	2		
10		78094A 3	RESERVOIR ASSEMBLY	1		
-	22	32802	PLUG	1		
-	27	65128	GASKET-END COVER	2		
-		66221	COVER-END	2		
-	10	66223	SCREW-END COVER	2		
-	12	75451	WASHER	2		
11	36	55143	PRESSURE CAP	1		
12	27	71614	GASKET	1		
13	54	815504372	CLAMP	2		
14		79437A 2	BRACKET	1	(PORT - BORG WARNER)	
14		78092A 1	BRACKET	1	(PORT - V-DRIVE AND HURTH)	
14		79438A 3	BRACKET	1	(STARBOARD - BORG WARNER)	
14		78093A 3	BRACKET	1	(STARBOARD - V-DRIVE AND HI)	
15		77223 3	PAD	2		
16	10	37612	SCREW	2		
17	13	35048	LOCKWASHER	2		
18		71587A10	COOLANT RECOVERY SYSTEM	1	(SEE NOTE)	
19		71587A11	PLASTIC BOTTLE	1		
20		72058	CAP	1		
21	54	97862	CLAMP	1		
22	32	16021 1	HOSE-COVER TO MANIFOLD	1	(PORT)	
23	32	87117 1	HOSE-COVER TO MANIFOLD	1	(STARBOARD)	
24	54	815504220	CLAMP	AR		2
25	32	19403	HOSE-RESERVOIR TO MANIFOLD	1	(STARBOARD)	
25	32	91954 2	HOSE-RESERVOIR TO MANIFOLD	1	(STARBOARD - V-DRIVE)	
26	22	36305	ELBOW	2	(TOP - 90 DEGREES)	
27	32	19404	HOSE-RESERVOIR TO MANIFOLD	1	(PORT)	
27	32	91954 2	HOSE-RESERVOIR TO MANIFOLD	1	(PORT - V-DRIVE)	
28	32	53461 70	HOSE-TEE TO RESERVOIR	1		
28	32	816261 3	HOSE-TEE TO RESERVOIR	1		
29	22	55133T	TEE	1		
30	22	817428 2	HOSE-TEE TO EXHAUST ELBOW	1		